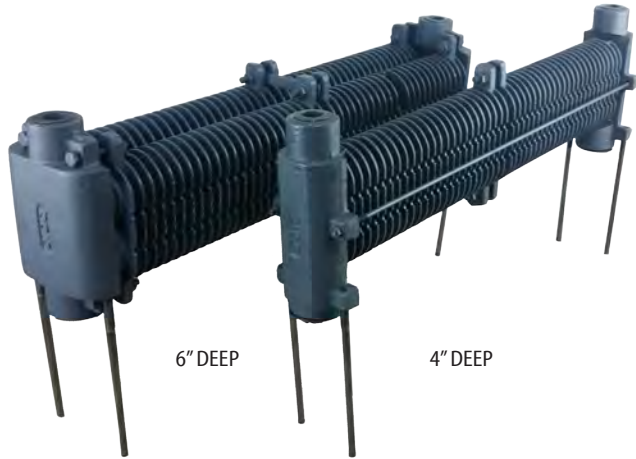


Convector Elements

CAST IRON

DIMENSIONS • RATINGS



Ratings

180°F
A.W.T. MBH
(1000 BTUh)
Hot Water

LENGTH	CABINET HEIGHT 20"		CABINET HEIGHT 24"	
	4" DEEP	6" DEEP	4" DEEP	6" DEEP
19"	1.5	2.3	1.8	2.6
23"	1.9	2.7	2.1	3.1
27"	2.3	3.4	2.5	3.7
31"	2.5	4.0	2.7	4.2
35"	2.7	4.6	2.9	4.9
39"	3.1	5.2	3.2	5.5
43"	3.5	5.7	3.8	6.0
47"	4.1	6.4	4.6	6.7
55"	4.9	7.7	5.4	8.0
63"	5.7	9.0	6.2	9.3

190°F
A.W.T. MBH
(1000 BTUh)
Hot Water

19"	1.6	2.5	2.0	2.9
23"	2.0	3.0	2.3	3.4
27"	2.3	3.8	2.7	4.1
31"	2.7	4.3	3.1	4.7
35"	3.1	5.0	3.4	5.4
39"	3.4	5.8	3.9	6.2
43"	4.0	6.3	4.4	6.7
47"	4.5	7.0	5.0	7.4
55"	5.4	8.5	5.9	8.8
63"	6.3	9.9	6.8	10.3

200°F
A.W.T. MBH
(1000 BTUh)
Hot Water

19"	1.8	2.8	2.2	3.2
23"	2.2	3.3	2.6	3.7
27"	2.6	4.1	3.0	4.5
31"	3.0	4.7	3.3	5.1
35"	3.3	5.5	3.7	5.9
39"	3.7	6.3	4.2	6.7
43"	4.3	6.9	4.8	7.3
47"	4.9	7.7	5.5	8.0
55"	5.9	9.3	6.5	9.7
63"	6.9	10.8	7.5	11.2

215°F
Steam
Capacities
EDR

19"	9.0	14.0	11.0	16.0
23"	11.0	17.0	13.0	19.0
27"	13.0	21.0	15.0	23.0
31"	15.0	24.0	17.0	26.0
35"	17.0	28.0	19.0	30.0
39"	19.0	32.0	21.5	34.0
43"	22.0	35.0	24.5	37.0
47"	25.0	39.0	28.0	41.0
55"	30.0	47.0	33.0	49.0
63"	35.0	55.0	38.0	57.0

Dimensions

ELEMENT PART #	"L" DIMENSION	"C-C" DIMENSION	APPROX. WEIGHT/LBS.
CI 419	19"	16¾"	27½
CI 423	23"	20¾"	31½
CI 427	27"	24¾"	35½
CI 431	31"	28¾"	41½
CI 435	35"	32¾"	45
CI 439	39"	36¾"	49½
CI 443	43"	40¾"	54½
CI 447	47"	44¾"	63
CI 455	55"	52¾"	71
CI 463	63"	60¾"	81
CI 619	19"	16 ¾"	53
CI 623	23"	20¾"	59
CI 627	27"	24¾"	71
CI 631	31"	28¾"	79
CI 635	35"	32¾"	93
CI 639	39"	36¾"	97
CI 643	43"	40¾"	103
CI 647	47"	44¾"	116
CI 655	55"	52¾"	131
CI 663	63"	60¾"	153

CUSTOMIZED ELEMENT LENGTHS AVAILABLE UPON REQUEST

IMPORTANT NOTE: 10-15% SHOULD BE ADDED TO ROOM REQUIREMENTS CABINET TYPES- FBS, SF, SFB, R, RB, S, SB, W, SW. (Nominal Heights 20"-24").

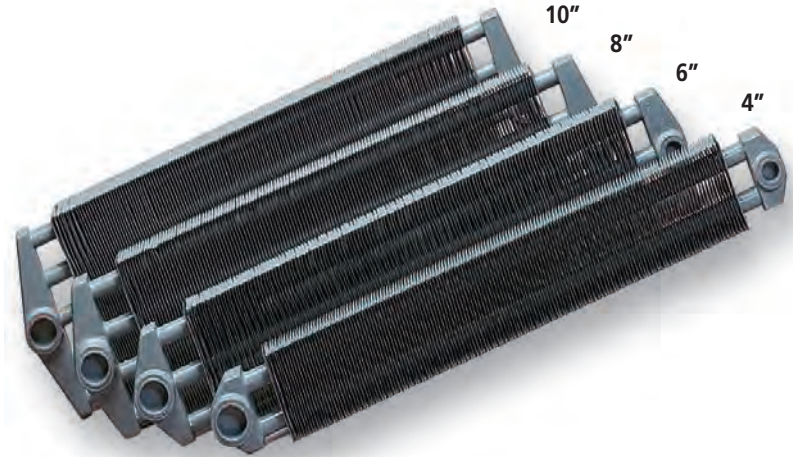
Convector Elements

STEEL

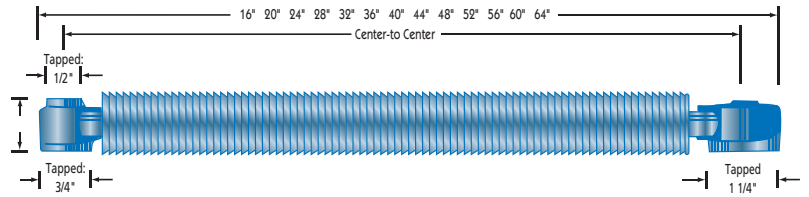
DIMENSIONS • RATINGS

Ratings

	ELEMENT PART #	*EDR RATING	APPROX. WT./LBS.
4"	SE 416	9.0	4
	SE 420	12.0	5 1/4
	SE 424	14.5	6 1/2
	SE 428	17.5	7 3/4
	SE 432	20.5	9
	SE 436	23.0	10 1/4
	SE 440	26.0	11 1/2
	SE 444	29.0	12 3/4
	SE 448	32.0	14
	SE 452	35.0	15 3/4
6"	SE 456	37.5	16 1/2
	SE 460	40.5	17 3/4
	SE 464	43.0	19
	SE 616	13.5	6 1/2
	SE 620	18.0	7 3/4
	SE 624	22.0	9 3/4
	SE 628	26.0	10 1/4
	SE 632	30.5	11 1/2
	SE 636	35.0	12 3/4
	SE 640	39.0	14
8"	SE 644	43.5	15 1/4
	SE 648	48.0	16 1/2
	SE 652	52.0	17 3/4
	SE 656	56.5	19
	SE 660	60.5	20 1/4
	SE 664	65.0	21 1/2
	SE 816	16.0	9
	SE 820	21.0	10 1/4
	SE 824	26.5	12 1/2
	SE 828	31.5	14 1/2
10"	SE 832	36.5	16
	SE 836	42.0	17 3/4
	SE 840	47.0	19 3/4
	SE 844	52.0	21 1/4
	SE 848	57.0	23
	SE 852	62.5	24 3/4
	SE 856	67.5	26 1/2
	SE 860	72.5	28 1/4
	SE 864	78.0	30
	SE 1016	19.0	11
SE 1020	25.0	13	
SE 1024	31.0	15	
SE 1028	37.0	17	
SE 1032	43.0	19	
SE 1036	49.0	21	
SE 1040	55.0	23	
SE 1044	61.0	25	
SE 1048	67.0	27	
SE 1052	72.0	29	
SE 1056	79.0	31	
SE 1060	85.0	33	
SE 1064	91.0	35	



Element Lengths 1/2" shorter than nominal



NOTE: CUSTOMIZED LENGTHS UP TO 120" LONG ARE AVAILABLE
ELEMENTS MAY BE SQUEEZED TO REDUCE THE DEPTH SIZE
ASSORTED HEADERS AVAILABLE

NOMINAL LENGTH	OVERALL LENGTH	"C-C" DIMENSIONS
16"	15 1/2	13 11/16
20"	19 1/2	17 11/16
24"	23 1/2	21 11/16
28"	27 1/2	25 11/16
32"	31 1/2	29 11/16
36"	35 1/2	33 11/16
40"	39 1/2	37 11/16
44"	43 1/2	41 11/16
48"	47 1/2	45 11/16
52"	51 1/2	49 11/16
56"	55 1/2	53 11/16
60"	59 1/2	57 11/16
64"	63 1/2	61 11/16

Convector Elements

STEEL

DIMENSIONS • RATINGS

Steam Capacities

Sq. Ft. – EDR 65°F Entering Air

Cabinet Types-
FBS, F, R, RB, S, SB, W

LENGTH	INSTALLED HEIGHT 20"				INSTALLED HEIGHT 24"			
	4" DEEP	6" DEEP	8" DEEP	10" DEEP	4" DEEP	6" DEEP	8" DEEP	10" DEEP
16"	8.0	13.0	15.0	18.5	9.0	13.5	16.0	19.0
20"	11.0	17.0	20.0	24.0	12.0	18.0	21.0	25.0
24"	13.5	21.0	24.5	30.0	14.5	22.0	26.5	31.0
28"	16.0	25.0	29.5	35.5	17.5	26.0	31.5	37.0
32"	18.5	29.5	34.0	41.5	20.5	30.5	36.5	43.0
36"	21.0	33.5	39.0	47.5	23.0	35.0	42.0	49.0
40"	24.0	37.5	43.5	53.0	26.0	39.0	47.0	55.0
44"	26.5	41.5	48.5	59.0	29.0	43.5	52.0	61.0
48"	29.0	45.5	53.0	65.0	32.0	48.0	57.0	67.0
52"	32.0	50.0	58.0	71.0	35.0	52.0	62.5	72.0
56"	34.5	54.0	63.0	76.5	37.5	56.5	67.5	79.0
60"	37.0	58.5	68.0	82.5	40.5	60.5	72.5	85.0
64"	39.5	62.0	72.5	88.0	43.0	65.0	78.0	91.0

Ratings

180°F
A.W.T. MBH
(1000 BTUh)
Hot Water
20°F Temp. Diff.

Cabinet Types-
FBS, F, R, RB, S, SB, W

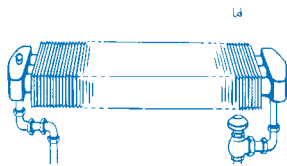
LENGTH	INSTALLED HEIGHT 20"				INSTALLED HEIGHT 24"			
	4" DEEP	6" DEEP	8" DEEP	10" DEEP	4" DEEP	6" DEEP	8" DEEP	10" DEEP
16"	1.3	2.1	2.4	3.0	1.5	2.2	2.6	3.1
20"	1.8	2.7	3.2	3.9	1.9	2.9	3.4	4.0
24"	2.2	3.4	3.9	4.8	2.3	3.5	4.3	5.0
28"	2.6	4.0	4.8	5.7	2.8	4.2	5.1	6.0
32"	3.0	4.8	5.5	6.7	3.3	4.9	5.9	6.9
36"	3.4	5.4	6.3	7.6	3.7	5.6	6.8	7.9
40"	3.9	6.0	7.0	8.5	4.2	6.3	7.6	8.9
44"	4.3	6.7	7.8	9.5	4.7	7.0	8.4	9.8
48"	4.7	7.3	8.5	10.5	5.2	7.7	9.2	10.8
52"	5.2	8.1	9.3	11.4	5.6	8.4	10.1	11.6
56"	5.6	8.7	10.1	12.3	6.0	9.1	10.9	12.7
60"	6.0	9.4	10.9	13.3	6.5	9.7	11.7	13.7
64"	6.4	10.0	11.7	14.2	6.9	10.5	12.6	14.7

Piping Connections

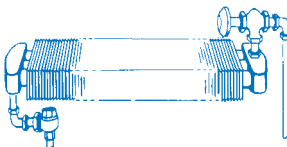
One Pipe Steam
bottom supply



Hot Water
bottom supply
bottom return



Vapor System
top supply
bottom return



Vapor System
bottom supply
bottom return



190°F
A.W.T. MBH
(1000 BTUh)
Hot Water
20°F Temp. Diff.

Cabinet Types-
FBS, F, R, RB, S, SB, W

LENGTH	INSTALLED HEIGHT 20"				INSTALLED HEIGHT 24"			
	4" DEEP	6" DEEP	8" DEEP	10" DEEP	4" DEEP	6" DEEP	8" DEEP	10" DEEP
16"	1.4	2.3	2.6	3.3	1.6	2.4	2.8	3.4
20"	1.9	3.0	3.5	4.2	2.1	3.2	3.7	4.4
24"	2.4	3.7	4.2	5.2	2.6	3.9	4.7	5.4
28"	2.8	4.4	5.2	6.2	3.1	4.6	5.5	6.5
32"	3.3	5.2	6.0	7.3	3.6	5.4	6.4	7.6
36"	3.7	5.9	6.9	8.4	4.1	6.2	7.4	8.6
40"	4.2	6.6	7.7	9.3	4.6	6.9	8.3	9.7
44"	4.7	7.3	8.5	10.4	5.1	7.7	9.2	10.7
48"	5.1	8.0	9.3	11.4	5.6	8.4	10.0	11.8
52"	5.7	8.8	10.1	12.4	6.1	9.1	11.0	12.6
56"	6.1	9.5	11.1	13.5	6.6	9.9	11.9	13.9
60"	6.5	10.2	11.9	14.5	7.1	10.6	12.7	14.9
64"	7.0	10.9	12.8	15.5	7.6	11.4	13.7	16.0

200°F
A.W.T. MBH
(1000 BTUh)
Hot Water
20°F Temp. Diff.

Cabinet Types-
FBS, F, R, RB, S, SB, W

LENGTH	INSTALLED HEIGHT 20"				INSTALLED HEIGHT 24"			
	4" DEEP	6" DEEP	8" DEEP	10" DEEP	4" DEEP	6" DEEP	8" DEEP	10" DEEP
16"	1.5	2.5	2.8	3.5	1.8	2.6	3.1	3.6
20"	2.1	3.2	3.8	4.6	2.3	3.4	4.0	4.7
24"	2.6	4.0	4.6	5.6	2.8	4.2	5.1	5.9
28"	3.1	4.8	5.6	6.7	3.4	5.0	6.0	7.1
32"	3.5	5.6	6.5	7.9	3.9	5.8	7.0	8.2
36"	4.0	6.4	7.5	9.1	4.4	6.7	8.0	9.4
40"	4.6	7.2	8.3	10.1	5.0	7.5	9.0	10.5
44"	5.1	7.9	9.3	11.3	5.5	8.3	9.9	11.7
48"	5.5	8.7	10.1	12.4	6.1	9.2	10.9	12.8
52"	6.1	9.5	10.9	13.4	6.6	9.9	11.9	13.6
56"	6.6	10.3	12.0	14.6	7.1	10.8	12.9	15.1
60"	7.1	11.1	12.8	15.6	7.6	11.4	13.8	16.1
64"	7.5	11.8	13.9	16.8	8.2	12.4	14.9	17.4

215°F
Steam Capacities
Sq. Ft. – EDR
E.A.T. = 65°F

Cabinet Types-
SF, SFB, SW (Slope Top)

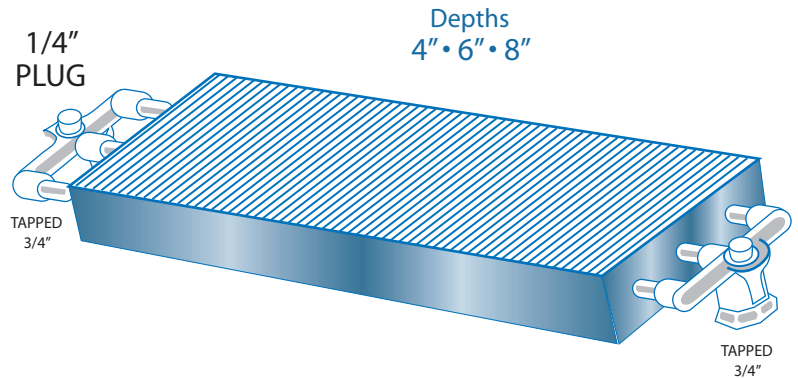
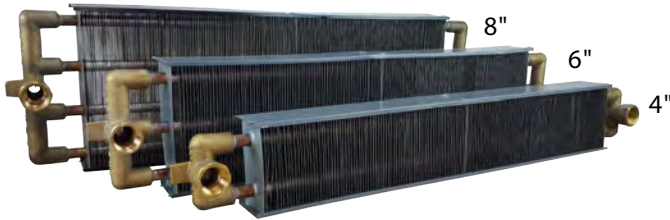
Height shown is for the "SW"
Cabinet. Ratings listed above
also apply to the "SF" & "SFB"
cabinets which are 6" higher.

LENGTH	INSTALLED HEIGHT 20"				INSTALLED HEIGHT 24"			
	4" DEEP	6" DEEP	8" DEEP	10" DEEP	4" DEEP	6" DEEP	8" DEEP	10" DEEP
16"	8.5	13.5	16.0	20.1	9.0	14.5	17.0	20.0
20"	12.5	17.0	19.5	23.5	12.5	19.0	20.0	24.0
24"	15.5	21.0	24.5	30.0	16.0	23.5	25.0	29.5
28"	18.5	25.5	29.5	35.5	19.0	28.0	30.0	35.0
32"	21.5	29.5	34.0	41.5	22.0	32.5	35.0	41.0
36"	24.5	33.5	38.5	47.0	25.0	37.0	39.0	46.0
40"	27.5	37.5	43.5	53.0	28.0	41.5	44.5	54.0
44"	30.5	41.5	48.0	58.0	31.0	46.0	49.0	58.0
48"	33.5	45.5	52.5	64.0	34.0	50.5	54.5	63.5
52"	36.0	49.5	56.5	69.0	37.0	55.0	58.5	67.5
56"	39.5	53.5	62.0	75.0	40.0	59.5	63.5	74.5
60"	42.0	57.5	66.5	81.0	43.0	64.0	68.5	80.5
64"	45.0	61.5	71.5	87.0	46.0	68.5	73.5	86.0

Convector Elements

COPPER (WITH BRASS HEADERS)

DIMENSIONS • RATINGS



Ratings

ELEMENT PART #	*EDR RATING	APPROX. WEIGHT/LBS.
CE 416	8.5	—
CE 420	12.5	2 1/4
CE 424	16.0	2 1/2
CE 428	19.0	2 3/4
CE 432	22.0	3
CE 436	25.0	3 1/4
4" CE 440	28.0	3 1/2
CE 444	31.0	3 3/4
CE 448	34.0	4
CE 452	37.0	4 1/4
CE 456	40.5	4 3/4
CE 460	43.5	5
CE 464	46.5	5 1/4
CE 616	14.0	4 1/2
CE 620	18.0	4 3/4
CE 624	22.5	5
CE 628	26.5	5 1/4
CE 632	31.0	5 1/2
CE 636	35.5	5 1/2
6" CE 640	40.0	6
CE 644	44.5	6 1/2
CE 648	48.5	6 3/4
CE 652	53.0	7
CE 656	57.5	7 1/4
CE 660	61.5	7 1/2
CE 664	66.0	7 3/4
CE 816	17.0	6 3/4
CE 820	22.0	7
CE 824	27.0	7 1/4
CE 828	32.0	7 1/2
CE 832	37.5	7 3/4
CE 836	43.5	8
8" CE 840	48.5	8 1/4
CE 844	53.5	8 1/2
CE 848	59.0	8 3/4
CE 852	64.0	9
CE 856	69.5	9 1/4
CE 860	74.0	9 1/2
CE 864	79.5	9 3/4

Element Height2"
 Element Depths 3 3/4", 5-3/4", 7-3/4"
 Element Lengths: 15-3/4" thru 63-3/4" (end to end)
 COPPER TUBING SIZE: 1/2" I.D. 5/8" O.D.
 BRASS HEADERS

Dimensions

NOMINAL LENGTH	OVERALL LENGTH	"C-C" DIMENSIONS
16"	15 3/4	13 1/2
20"	19 3/4	17 1/2
24"	23 3/4	21 1/2
28"	27 3/4	25 1/2
32"	31 3/4	29 1/2
36"	35 3/4	33 1/2
40"	39 3/4	37 1/2
44"	43 3/4	41 1/2
48"	47 3/4	45 1/2
52"	51 3/4	49 1/2
56"	55 3/4	53 1/2
60"	59 3/4	57 1/2
64"	63 3/4	61 1/2

Convector Elements

COPPER

DIMENSIONS • RATINGS

Steam Capacities

Sq. Ft. – EDR 65°F Entering Air

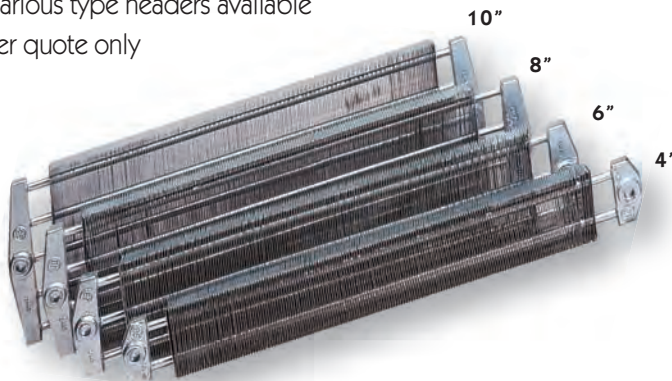
Cabinet Types-
FBS, F, R, RB, S, SB, W

LENGTH	INSTALLED HEIGHT 20"				INSTALLED HEIGHT 24"			
	4" DEEP	6" DEEP	8" DEEP	10" DEEP	4" DEEP	6" DEEP	8" DEEP	10" DEEP
16"	7.5	13.0	16.0	19.0	8.5	14.0	17.0	20.0
20"	11.5	16.5	21.0	24.5	12.5	18.0	22.0	26.0
24"	14.0	20.5	25.5	29.0	16.0	22.5	27.0	32.0
28"	17.0	24.5	30.0	34.5	19.0	26.5	32.0	38.0
32"	19.5	29.0	35.0	39.0	22.0	31.0	37.5	44.0
36"	22.0	33.0	40.0	44.5	25.0	35.5	43.5	50.0
40"	25.0	37.0	45.0	50.0	28.0	40.0	48.5	56.0
44"	27.5	41.0	50.0	55.5	31.0	44.5	53.5	62.0
48"	30.5	45.0	55.0	61.0	34.0	48.5	59.0	68.5
52"	33.0	49.0	60.0	66.5	37.0	53.0	64.0	74.0
56"	36.0	53.0	65.0	72.0	40.5	57.5	69.5	81.0
60"	39.0	57.0	70.0	77.0	43.5	61.5	74.0	86.5
64"	41.5	61.0	74.5	82.5	46.5	66.0	79.5	92.5

Also available in

"SERIES 12" COPPER ELEMENTS

- Stock sizes 4"-6"-10"-10" Deep
- Lengths 16" thru 120" long
- Various type headers available
- Per quote only



Dimensions

NOMINAL LENGTH	OVERALL LENGTH	"C-C" DIMENSIONS
16"	15 1/2"	13 7/8"
20"	19 1/2"	17 7/8"
24"	23 1/2"	21 7/8"
28"	27 1/2"	25 7/8"
32"	31 1/2"	29 7/8"
36"	35 1/2"	33 7/8"
40"	39 1/2"	37 7/8"
44"	43 1/2"	41 7/8"
48"	47 1/2"	45 7/8"
52"	51 1/2"	49 7/8"
56"	55 1/2"	53 7/8"
60"	59 1/2"	57 7/8"
64"	63 1/2"	61 7/8"

180°F
A.W.T. MBH
(1000 BTUh)
Hot Water
20°F Temp. Diff.

Cabinet Types-
FBS, F, R, RB, S, SB, W

LENGTH	INSTALLED HEIGHT 20"				INSTALLED HEIGHT 24"			
	4" DEEP	6" DEEP	8" DEEP	10" DEEP	4" DEEP	6" DEEP	8" DEEP	10" DEEP
16"	1.1	1.8	2.3	2.7	1.2	2.0	2.4	2.8
20"	1.6	2.4	3.0	3.5	1.8	2.6	3.1	3.7
24"	2.0	2.9	3.6	4.1	2.2	3.2	3.8	4.5
28"	2.4	3.5	4.2	4.9	2.7	3.8	4.5	5.4
32"	2.8	4.1	5.0	5.5	3.1	4.4	5.4	6.2
36"	3.2	4.7	5.7	6.3	3.6	5.0	6.1	7.1
40"	3.6	5.2	6.4	7.1	4.0	5.7	6.9	7.9
44"	3.9	5.8	7.1	7.8	4.4	6.3	7.6	8.7
48"	4.3	6.4	7.8	8.6	4.9	6.9	8.4	9.7
52"	4.7	6.9	8.5	9.4	5.2	7.5	9.0	10.4
56"	5.1	7.5	9.2	10.2	5.7	8.2	9.9	11.4
60"	5.5	8.0	9.9	10.9	6.1	8.7	10.4	12.2
64"	5.9	8.7	10.6	11.6	6.6	9.4	11.3	13.0

190°F
A.W.T. MBH
(1000 BTUh)
Hot Water
20°F Temp. Diff.

Cabinet Types-
FBS, F, R, RB, S, SB, W

LENGTH	INSTALLED HEIGHT 20"				INSTALLED HEIGHT 24"			
	4" DEEP	6" DEEP	8" DEEP	10" DEEP	4" DEEP	6" DEEP	8" DEEP	10" DEEP
16"	1.2	2.1	2.5	3.0	1.4	2.2	2.7	3.2
20"	1.8	2.6	3.3	3.9	2.0	2.8	3.5	4.1
24"	2.2	3.3	4.1	4.6	2.5	3.5	4.3	5.1
28"	2.7	3.9	4.8	5.5	3.0	4.2	5.1	6.0
32"	3.1	4.6	5.5	6.2	3.5	4.9	6.0	7.0
36"	3.5	5.2	6.3	7.1	4.0	5.6	6.8	8.0
40"	4.0	5.8	7.1	8.0	4.4	6.3	7.6	8.9
44"	4.4	6.5	7.9	8.8	4.9	7.0	8.5	9.9
48"	4.8	7.1	8.7	9.7	5.4	7.7	9.3	10.9
52"	5.2	7.8	9.5	10.6	5.9	8.4	10.2	11.8
56"	5.7	8.4	10.2	11.4	6.4	9.1	11.0	12.9
60"	6.2	9.1	11.1	12.2	6.9	9.8	11.8	13.8
64"	6.5	9.7	11.8	13.1	7.4	10.4	12.6	14.7

200°F
A.W.T. MBH
(1000 BTUh)
Hot Water
20°F Temp. Diff.

Cabinet Types-
FBS, F, R, RB, S, SB, W

LENGTH	INSTALLED HEIGHT 20"				INSTALLED HEIGHT 24"			
	4" DEEP	6" DEEP	8" DEEP	10" DEEP	4" DEEP	6" DEEP	8" DEEP	10" DEEP
16"	1.3	2.3	2.8	3.4	1.5	2.5	3.0	3.5
20"	2.0	2.9	3.7	4.3	2.2	3.2	3.9	4.6
24"	2.5	3.6	4.5	5.1	2.8	3.9	4.8	5.7
28"	2.9	4.3	5.3	6.1	3.3	4.7	5.7	6.7
32"	3.4	5.0	6.1	6.9	3.9	5.4	6.6	7.8
36"	3.9	5.8	7.0	7.9	4.4	6.2	7.5	8.9
40"	4.4	6.5	7.9	8.9	4.9	7.0	8.5	9.9
44"	4.8	7.2	8.8	9.8	5.5	7.8	9.4	11.0
48"	5.3	8.0	9.7	10.8	6.0	8.5	10.3	12.1
52"	5.8	8.7	10.6	11.8	6.5	9.4	11.3	13.1
56"	6.3	9.3	11.5	12.7	7.1	10.0	12.2	14.3
60"	6.8	10.1	12.4	13.6	7.7	10.9	13.1	15.3
64"	7.2	10.8	13.2	14.6	8.2	11.6	13.9	16.4

215°F
Steam Capacities
Sq. Ft. – EDR
E.A.T. = 65°F

Cabinet Types-
SF, SFB, SW (Slope Top)

LENGTH	INSTALLED HEIGHT 20"				INSTALLED HEIGHT 24"			
	4" DEEP	6" DEEP	8" DEEP	10" DEEP	4" DEEP	6" DEEP	8" DEEP	10" DEEP
16"	10.0	15.5	19.5	24.5	10.5	16.5	21.0	27.0
20"	13.5	20.0	25.5	31.5	14.0	21.5	27.5	34.0
24"	16.5	25.0	32.0	39.0	17.5	26.5	34.0	41.5
28"	20.0	29.5	38.0	46.5	21.0	31.5	41.0	50.0
32"	23.0	34.5	44.5	54.0	24.5	37.0	47.5	58.0
36"	26.5	39.5	51.0	61.0	27.5	42.0	54.0	66.0
40"	29.5	44.0	57.0	69.5	31.0	47.5	61.0	74.5
44"	33.0	49.0	63.5	77.0	34.5	52.5	67.5	82.5
48"	36.0	54.0	69.5	84.5	38.0	57.5	74.0	90.5
52"	39.0	57.0	77.0	94.0	41.0	62.5	81.0	98.0
56"	42.5	63.5	82.0	103.5	45.0	68.0	87.5	106.5
60"	46.0	68.0	88.0	109.5	48.0	74.0	94.5	114.5
64"	49.0	73.0	94.5	114.5	52.0	78.5	101.0	122.0

"Series 12" Element Lengths

1/2" shorter than nominal

